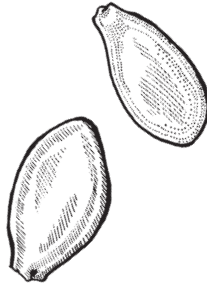


Planting Card 1

Name _____

Date _____

I planted (circle)



I would like to find out _____

Planting Card 3

Name _____

Date _____

I found out that _____

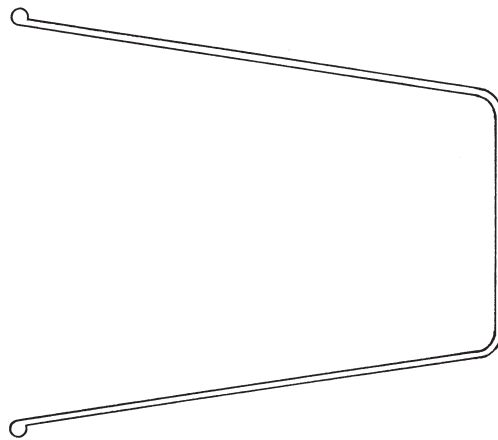
Blank handwriting practice lines for the back of planting cards 1 and 3. Each row consists of a solid top line, a dashed midline, and a solid bottom line. There are 10 such rows.

Blank handwriting practice lines for the back of planting cards 1 and 3. Each row consists of a solid top line, a dashed midline, and a solid bottom line. There are 10 such rows.

Planting Card 2

Name _____

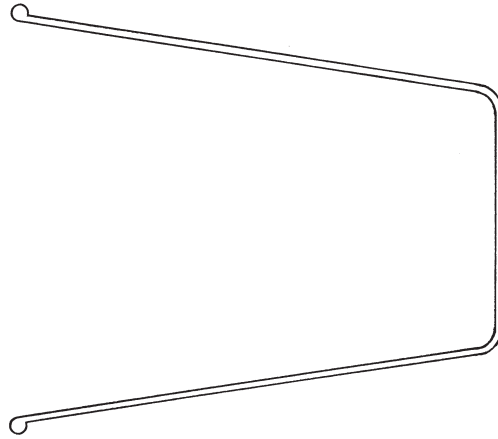
Date _____



Planting Card 2

Name _____

Date _____



Today, I observed that

Today, I observed that

How My Plant Grew

Name _____

I planted _____

Date	Date	Date	Date	Date