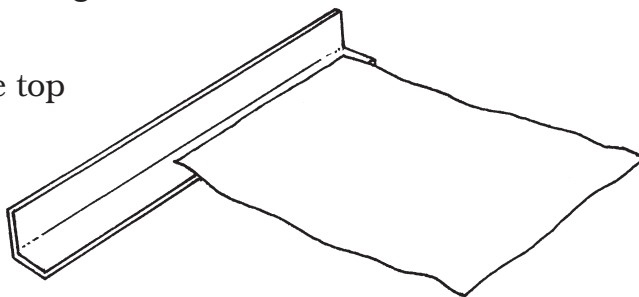
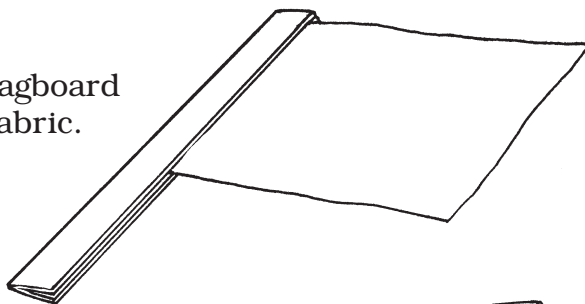


Student Instructions for Making a Wind Flag

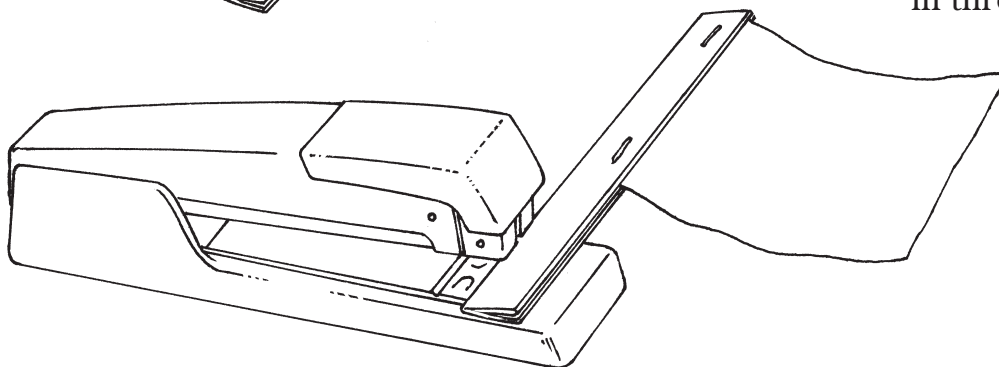
1. Insert the fabric near the top of the tagboard pole.



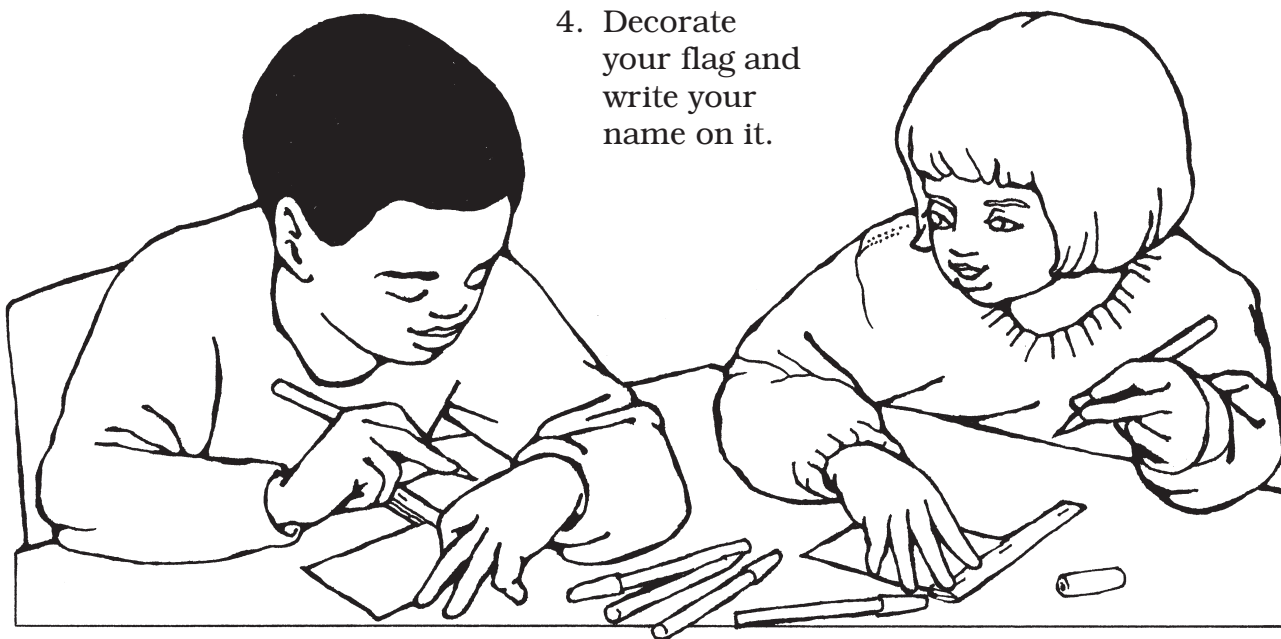
2. Fold the tagboard over the fabric.



3. Staple the tagboard in three places.



4. Decorate your flag and write your name on it.

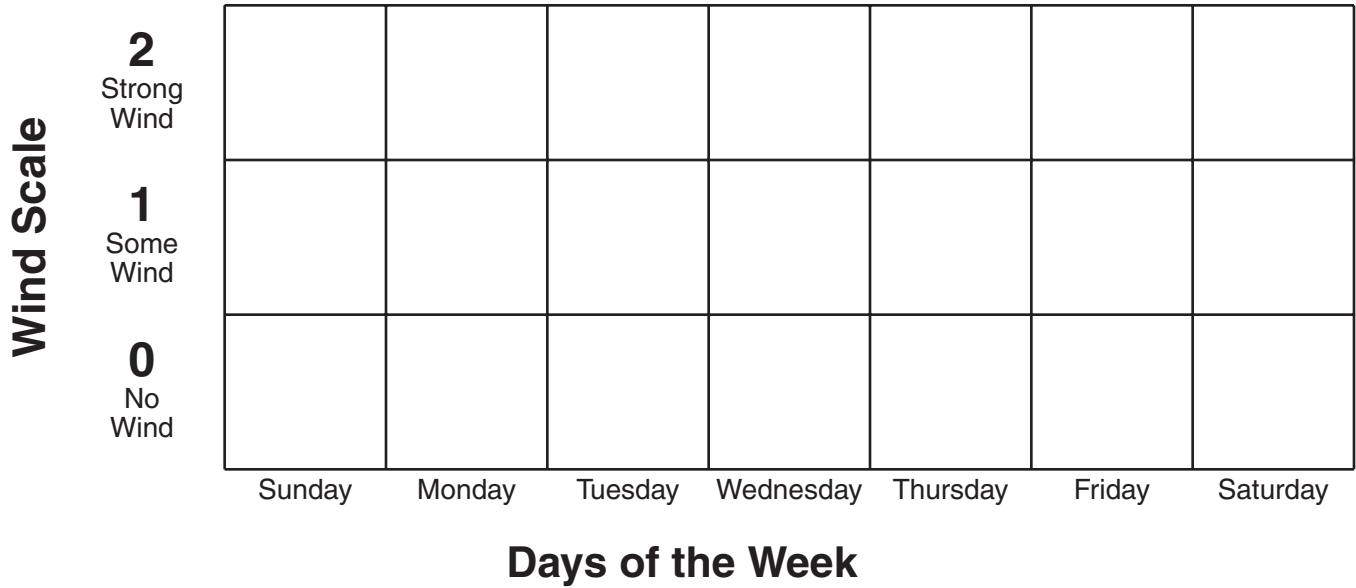


Record Sheet 4-A

Name: _____

Date: _____

Wind Data Graph



1. Which day had the most wind?

2. Which day had the least wind?

3. Which day would have been good for kite flying?

